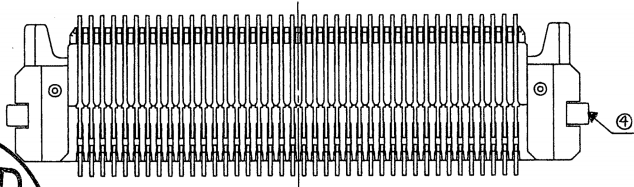
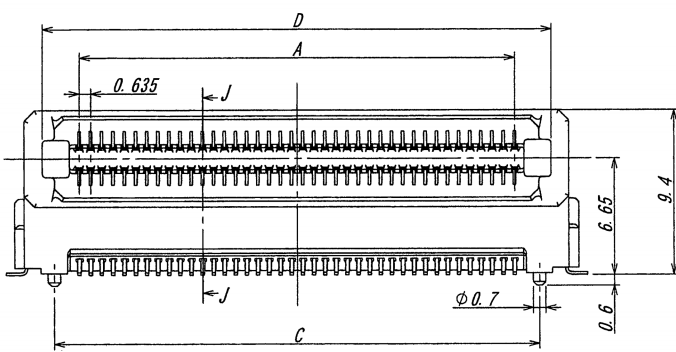
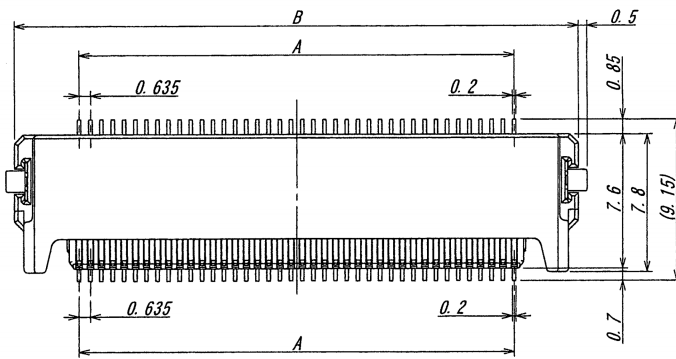
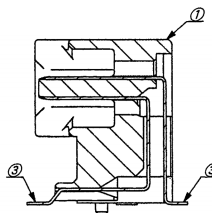
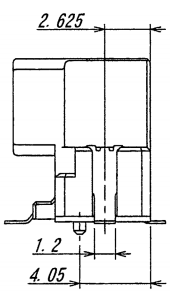
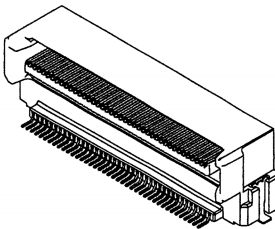


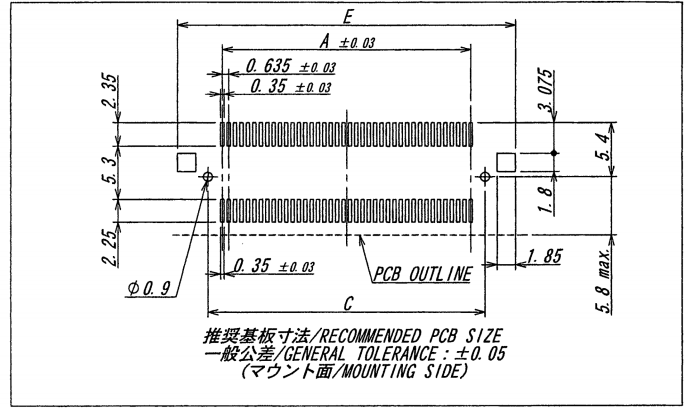
A B C D E F G H



| 製品番号 PRODUCTS No. | NOTE |
|----------------------|----------------------------|
| 10110B-***A-GFN1 | Atype: WITH BOSS, WITH CAP |
| 10110B-***B-GFN1 | Btype: W/O BOSS, WITH CAP |
| 10110B-***C-GFN1 | Ctype: WITH BOSS, W/O CAP |
| 10110B-***D-GFN1 | Dtype: W/O BOSS, W/O CAP |

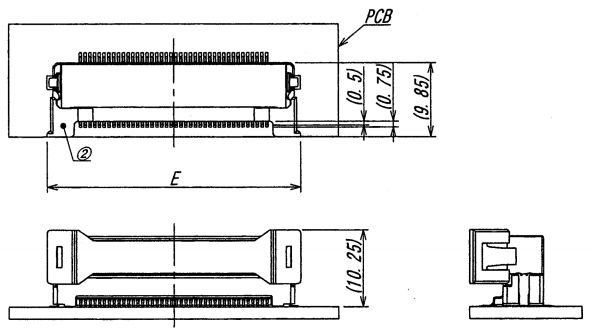


| 極数 CKT | 製品番号 PRODUCTS No. | A | B | C | D | E |
|-----------|----------------------|--------|--------|--------|--------|--------|
| 20 | 10110B-20*-GFN1 | 5.715 | 13.050 | 8.550 | 9.910 | 14.650 |
| 30 | 10110B-30*-GFN1 | 8.890 | 16.225 | 11.725 | 13.085 | 17.825 |
| 40 | 10110B-40*-GFN1 | 12.065 | 19.400 | 14.900 | 16.260 | 21.000 |
| 50 | 10110B-50*-GFN1 | 15.240 | 22.575 | 18.075 | 19.435 | 24.175 |
| 60 | 10110B-60*-GFN1 | 18.415 | 25.750 | 21.250 | 22.610 | 27.350 |
| 70 | 10110B-70*-GFN1 | 21.590 | 28.925 | 24.425 | 25.785 | 30.525 |
| 80 | 10110B-80*-GFN1 | 24.765 | 32.100 | 27.600 | 28.960 | 33.700 |
| 90 | 10110B-90*-GFN1 | 27.940 | 35.275 | 30.775 | 32.135 | 36.875 |
| 100 | 10110B-100*-GFN1 | 31.115 | 38.450 | 33.950 | 35.310 | 40.050 |
| 110 | 10110B-110*-GFN1 | 34.290 | 41.625 | 37.125 | 38.485 | 43.225 |
| 120 | 10110B-120*-GFN1 | 37.465 | 44.800 | 40.300 | 41.660 | 46.400 |



推奨基板寸法/RECOMMENDED PCB SIZE
一般公差/GENERAL TOLERANCE: ±0.05
(マウント面/MOUNTING SIDE)

NOTE
1. コプラナリティ: 0.1mm MAX / COPLANARITY: 0.1mm MAX



ISSUED
16.4.11
IP/SD
ENG/DEPT.

| LR 記号 | BCN No | REVISION RECORD 記号 | DR | CHK | DATE 年月日 |
|----------|--------|-----------------------|-----|-----|-------------|
| △ | 51562 | NOTE REV | T.H | K.H | '14/9/3 |
| △ | 47645 | RELEASED | T.H | T.T | '14/5/2 |
| △ | | NOTE REV | H.S | M.T | '13/7/26 |
| △ | | SKETCHED | H.S | M.T | '13/4/19 |

| MATERIAL 材質 | FINISH 仕上げ |
|--|---|
| ①ベース/BASE : LCP (UL94 V-0) ②キャップ/CAP : 9T W/LOW (UL94 V-0) ③ポスト/POST : コルソン銅/CORSON ALLOY ④補強板/METAL PLATE : 黄銅/BRASS | ①ニッケル下地めっき/OVER NICKEL PLATE: 2μMIN. (接点/CONTACT) ②金めっき/GOLD PLATE: 0.1μM~1.2μM (接点/CONTACT) ③ニッケル下地めっき/OVER NICKEL PLATE: 1.5~3.5μM ④半光沢銅めっき/TIN MAT PLATE: 3~6μM |

| GENERAL TOLERANCES 一般公差 | SRD. ANG. PROJ. 三角法 |
|----------------------------|---------------------|
| DIM 寸法 ± 0.3 ANGLE 角度 ± | |

| SCALE 尺度 | UNIT 単位 | DR | DSN | CHK | APP |
|---|---------|---------|----------|---------|---------|
| / | mm | T. Haga | '13.6.19 | K. Hara | '14.9.9 |
| IRISO ELECTRONICS CO., LTD イリス電子工業株式会社 | | | | | |

| TITLE 名称 | EDP No | PARTS No 部番 | DWG No 図番 | REV. |
|---|--------|----------------------|----------------|------|
| 10110 シリーズ コネクタ SERIES 10110 CONNECTOR | | 1MSA-10110B-***-GFN1 | 110-210110-002 | 3 |

DO NOT SCALE DRAWING. THIS DRAWING CONTAINS INFORMATION THAT IS PROPRIETARY TO IRISO AND SHOULD NOT BE USED WITHOUT WRITTEN PERMISSION. 本図面は、イリス電子工業(株)の所有する情報を含むもので当社の許可なく複製を禁止する。