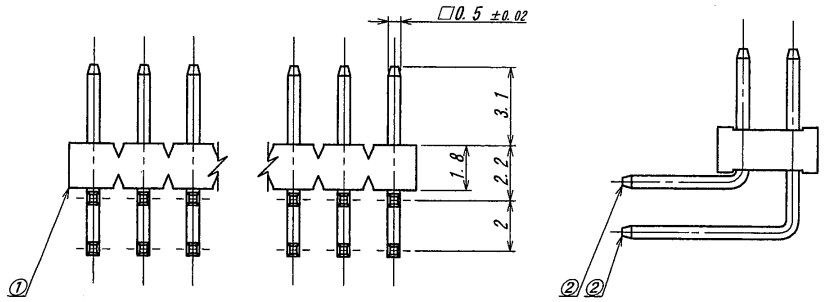
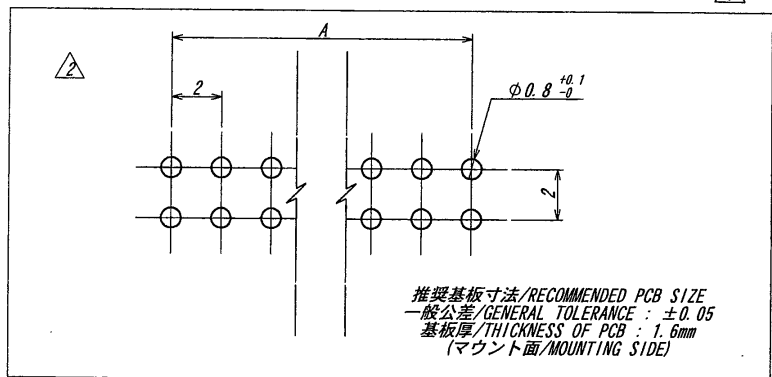


| 極数<br>CKT | 部品番号<br>PARTS No.   | A    | B    | NOTE | 極数<br>CKT | 部品番号<br>PARTS No.   | A    | B    | NOTE |
|-----------|---------------------|------|------|------|-----------|---------------------|------|------|------|
| 4         | 9210B-2-04ZA081-PT1 | 2.0  | 3.9  |      | 36        | 9210B-2-36ZA081-PT1 | 34.0 | 35.9 |      |
| 6         | 9210B-2-06ZA081-PT1 | 4.0  | 5.9  |      | 38        | 9210B-2-38ZA081-PT1 | 36.0 | 37.9 |      |
| 8         | 9210B-2-08ZA081-PT1 | 6.0  | 7.9  |      | 40        | 9210B-2-40ZA081-PT1 | 38.0 | 39.9 |      |
| 10        | 9210B-2-10ZA081-PT1 | 8.0  | 9.9  |      | 42        | 9210B-2-42ZA081-PT1 | 40.0 | 41.9 |      |
| 12        | 9210B-2-12ZA081-PT1 | 10.0 | 11.9 |      | 44        | 9210B-2-44ZA081-PT1 | 42.0 | 43.9 |      |
| 14        | 9210B-2-14ZA081-PT1 | 12.0 | 13.9 |      | 46        | 9210B-2-46ZA081-PT1 | 44.0 | 45.9 |      |
| 16        | 9210B-2-16ZA081-PT1 | 14.0 | 15.9 |      | 48        | 9210B-2-48ZA081-PT1 | 46.0 | 47.9 |      |
| 18        | 9210B-2-18ZA081-PT1 | 16.0 | 17.9 |      | 50        | 9210B-2-50ZA081-PT1 | 48.0 | 49.9 |      |
| 20        | 9210B-2-20ZA081-PT1 | 18.0 | 19.9 |      | 52        | 9210B-2-52ZA081-PT1 | 50.0 | 51.9 |      |
| 22        | 9210B-2-22ZA081-PT1 | 20.0 | 21.9 |      | 54        | 9210B-2-54ZA081-PT1 | 52.0 | 53.9 |      |
| 24        | 9210B-2-24ZA081-PT1 | 22.0 | 23.9 |      | 56        | 9210B-2-56ZA081-PT1 | 54.0 | 55.9 |      |
| 26        | 9210B-2-26ZA081-PT1 | 24.0 | 25.9 |      | 58        | 9210B-2-58ZA081-PT1 | 56.0 | 57.9 |      |
| 28        | 9210B-2-28ZA081-PT1 | 26.0 | 27.9 |      | 60        | 9210B-2-60ZA081-PT1 | 58.0 | 59.9 |      |
| 30        | 9210B-2-30ZA081-PT1 | 28.0 | 29.9 |      | 62        | 9210B-2-62ZA081-PT1 | 60.0 | 61.9 |      |
| 32        | 9210B-2-32ZA081-PT1 | 30.0 | 31.9 |      | 64        | 9210B-2-64ZA081-PT1 | 62.0 | 63.9 |      |
| 34        | 9210B-2-34ZA081-PT1 | 32.0 | 33.9 |      |           |                     |      |      |      |



仕様

- 最大定格電圧電流 : 250V, 3A (AC, DC)
- 使用温度範囲 : -40 ~ +105°C
- 本製品はウィスカの発生を通常品よりも抑制する効果を持たせた製品ですが、ウィスカの発生を無くすことを保証する製品ではありません。

NOTE

- MAXIMUM RATING VOLTAGE AND CURRENT : 250V, 3A (AC, DC)
- TEMPERATURE RANGE : -40 ~ +105°C
- THIS PRODUCT HAS EFFECT TO SUPPRESS THE OCCURRENCE OF WHISKER THAN NORMAL. HOWEVER, IT IS NOT A PRODUCT THAT GUARANTEES THAT THERE IS NO OCCURRENCE OF WHISKER.

ISSUED  
 16.3.-9  
 IRISO  
 ENG.DEPT.

|  |  |   |  |                          |                             |   |
|--|--|---|--|--------------------------|-----------------------------|---|
| MATERIAL 材質  |  | GENERAL TOLERANCES 一般公差                   |  | SCALE 尺度                 | UNIT 単位                     | TITLE 名称                                  |
| ①ベース : ガラス入りPA46, UL94V-0, 自然色 (アイボリー)<br>BASE: GLASS FILLED PA46, UL94V-0, COLOR: NATURAL (IVORY)<br>②端子/PIN : 黄銅/BRASS |  | DIN 寸法 ± 0.3<br>ANGLE 角度 ±                |  | DR '16-2-29<br>Y. KOJIMA | DSN '97-6-27<br>E. Kitayama | 9210シリーズ ピンヘッダー<br>SERIES 9210 PIN HEADER |
| FINISH 仕上げ   |  | 3RD. ANG. PROJ. 三角法                       |  | CHK '16-2-29<br>K. Chiba | APP '16 5. Un o.            | EDP No                                    |
| ②前めっき/PRE-PLATE<br>ニッケル下地めっき/OVER NICKEL PLATE 1μmMIN.<br>錫リフローめっき/TIN REFLOW PLATE 2μmMIN.                              |  | IRISO ELECTRONICS CO., LTD<br>イリス電子工業株式会社 |  |                          |                             | PARTS No 部番<br>△ IMSA-9210B-2-**ZA081-PT1 |
| LTR 記号<br>ECN No   |  | REVISION RECORD 記                         |  | DR                       |                             | DATE 年月日                                  |
| 29425  |  | REVISED S.K M.T                           |  | '07-5-31                 |                             | DWG No 図番<br>△ 110-409210-306             |
|  |  |   |  |                          |                             | REV.<br>2                                 |