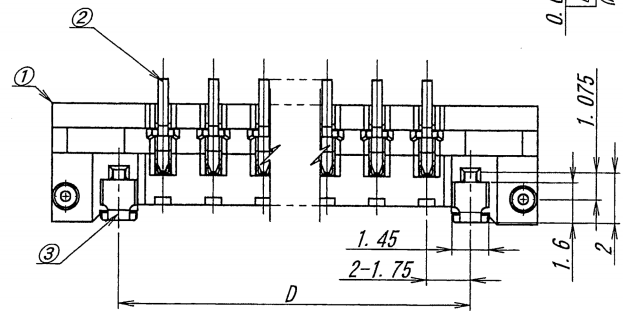
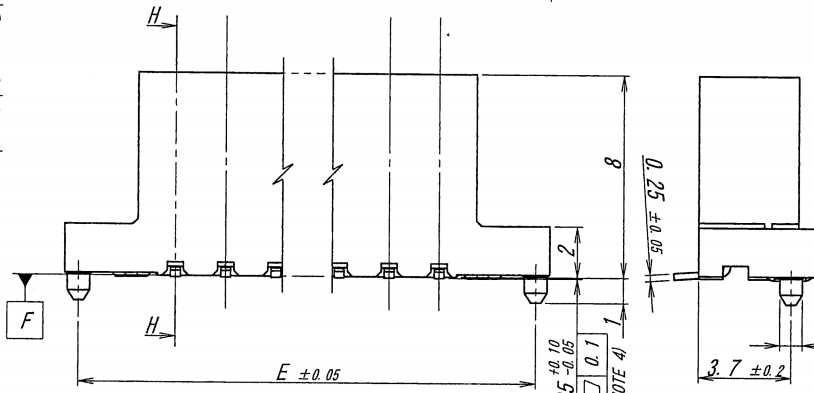
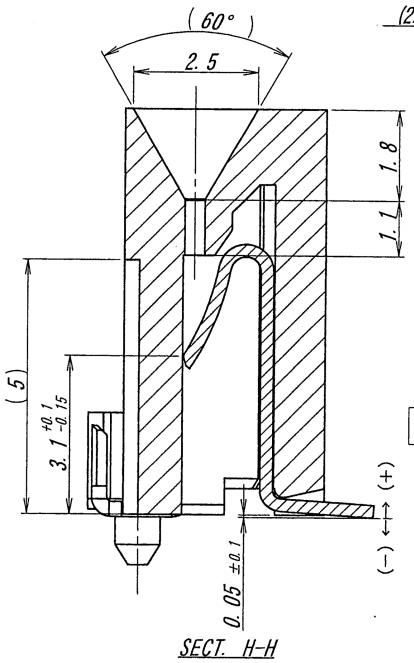
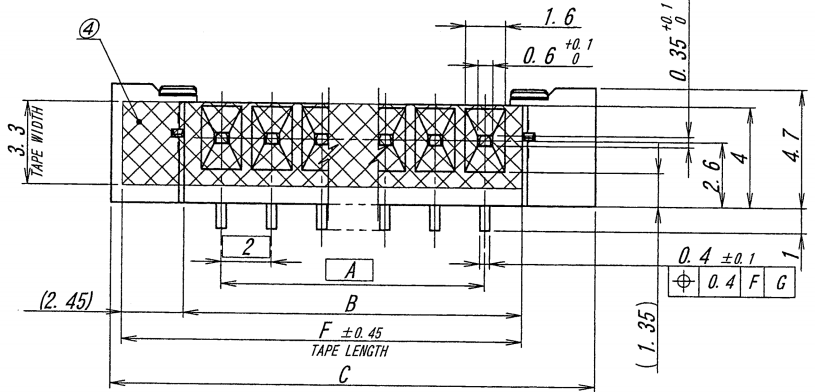


品番/CT	部品番号/PART No.	A	B	C	D	E	F
6	9257S-06M-TM1	10.0	13.0	18.8	13.5	17.7	15.45
7	9257S-07M-TM1	12.0	15.0	20.8	15.5	19.7	17.45
8	9257S-08M-TM1	14.0	17.0	22.8	17.5	21.7	18.45
9	9257S-09M-TM1	16.0	19.0	24.8	18.5	23.7	21.45
10	9257S-10M-TM1	18.0	21.0	26.8	21.5	25.7	23.45
11	9257S-11M-TM1	20.0	23.0	28.8	23.5	27.7	25.45
12	9257S-12M-TM1	22.0	25.0	30.8	25.5	29.7	27.45
13	9257S-13M-TM1	24.0	27.0	32.8	27.5	31.7	29.45
14	9257S-14M-TM1	26.0	29.0	34.8	29.5	33.7	31.45
15	9257S-15M-TM1	28.0	31.0	36.8	31.5	35.7	33.45
16	9257S-16M-TM1	30.0	33.0	38.8	33.5	37.7	35.45
17	9257S-17M-TM1	32.0	35.0	40.8	35.5	39.7	37.45
18	9257S-18M-TM1	34.0	37.0	42.8	37.5	41.7	39.45
19	9257S-19M-TM1	36.0	39.0	44.8	39.5	43.7	41.45
20	9257S-20M-TM1	38.0	41.0	46.8	41.5	45.7	43.45
21	9257S-21M-TM1	40.0	43.0	48.8	43.5	47.7	45.45
22	9257S-22M-TM1	42.0	45.0	50.8	45.5	49.7	47.45
23	9257S-23M-TM1	44.0	47.0	52.8	47.5	51.7	49.45
24	9257S-24M-TM1	46.0	49.0	54.8	49.5	53.7	51.45
25	9257S-25M-TM1	48.0	51.0	56.8	51.5	55.7	53.45
26	9257S-26M-TM1	50.0	53.0	58.8	53.5	57.7	55.45
27	9257S-27M-TM1	52.0	55.0	60.8	55.5	59.7	57.45
28	9257S-28M-TM1	54.0	57.0	62.8	57.5	61.7	59.45
29	9257S-29M-TM1	56.0	59.0	64.8	59.5	63.7	61.45
30	9257S-30M-TM1	58.0	61.0	66.8	61.5	65.7	63.45

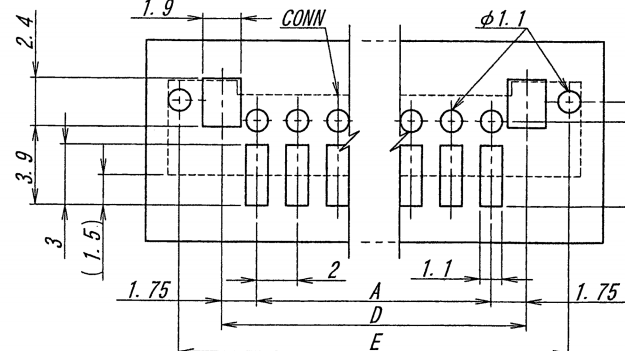


NOTE

1. 最大定格電圧電流 : 125V, 1A
2. 接触抵抗 : 20mΩ以下 (初期値にて)
3. 適合LCD端子径 : 0.3(±0.05) × 0.5(±0.1) mm
4. 端子の先端位置にて適応, 金具の線下部にて適応
5. 本製品は, 錫めっきを施しておりますので, スカスカが発生する可能性があります。その為, ウィスカー発生に対する保証は困難であり, 御社にて御判断の上御使用を御願いたします。
6. コプラナリティ : 0.1 MAX.

1. MAXIMUM RATING VOLTAGE AND CURRENT : 125V, 1A
2. CONTACT RESISTANCE : 20mΩ MAX.
3. MATING LCD : 0.3(±0.05) × 0.5(±0.1) mm
4. APPLIED TO THE TOP OF CONTACT AND THE END OF MOUNTING
5. THIS PRODUCT UTILIZES LEAD-FREE TIN PLATING. ANY PRODUCT WITH LEAD-FREE TIN PLATING IS SUSCEPTIBLE TO TIN WHISKER. IRISO PROVIDES NO ASSURANCES AGAINST THE GROWTH OF TIN WHISKER EVEN UNDER NORMAL OPERATING CONDITIONS. CUSTOMERS ASSUME ALL RESPONSIBILITY FOR ANY PRODUCT FAILURES DUE SOLELY TO THE GROWTH OF TIN WHISKERS.
6. COPLANARITY : 0.1 MAX.

推奨基板寸法 (基板搭載面) 一般公差: ±0.05
PCB SIZE (VIEW OF INSTALL SIDE)
GENERAL TOLERANCES : ±0.05



ISSUED
46.6.22
IRISO
ENG. DEPT.

REV	DATE	BY	CHK	REVISION RECORD
1	16-6-21	R.A	Y.T	NOTE REV
2	16-5-16	Y.T	M.T	RELEASED

MATERIAL 材質	PINISH 仕上げ
①ハウジング: LCP樹脂 GF30% 黒 UL94V-0	①ニッケル下地めっき/OVER Ni PLATE : 1.5~3.5μm
②端子: リン青銅 (JIS C5102R-H)	②半光沢めっき/TIN MATT PLATE: 3~6μm
③誘電基板: 炭素鋼 (JIS C2600R-1/2H)	③ニッケル下地めっき/OVER Ni PLATE : 1~3μm
④吸着テープ: ポリイミド	④半光沢めっき/TIN MATT PLATE: 3~6μm
⑤ハウジング: LCP GF30% UL94V-0, COLOR: BLACK	
⑥CONTACT: PHOSPHOR-BRONZE (JIS C5102R-H)	
⑦MOUNTING: BRASS (JIS C2600R-1/2H)	
⑧ABSORPTIVE TAPE: POLYIMIDE	

GENERAL TOLERANCES 一般公差	SCALE 尺度	UNIT 単位
DIN 寸法 ± 0.3	DR '16-6-21 P. Arai	MM
ANGLE 角度 ±	CHK Y/T S. Matsuzaki	
3RD. ANG. PROJ. 三角法	APP 2016-6-21 S. Matsuzaki	

TITLE 名称	EDP No	PARTS No 部番	DWG No 図番
9257シリーズ LCD ソケット SERIES 9257 LCD SOCKET	DSN '09-1-5 S. Matsuzaki	IRMSA-9257S-***M-TM1	110-409257-608

REV.
1