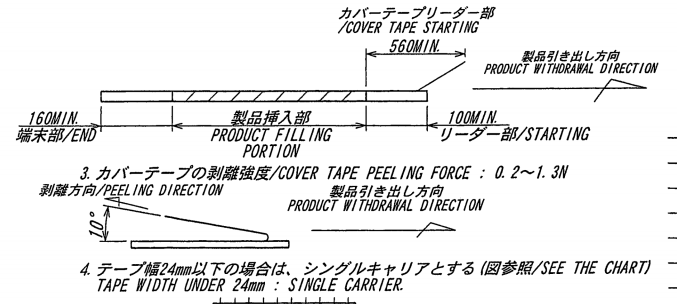


CKT	PARTS No.	A	B	C	D	E	F	G	H	材料 MATERIAL	
4	9610S-04Y939	4.0	6.4							くぼみ無し WITHOUT HOLLOW	A-PET
5	9610S-05Y939	5.0	7.4								PS
6	9610S-06Y939	6.0	8.4							A-PET	
7	9610S-07Y939	7.0	9.4								
8	9610S-08Y939	8.0	10.4	11.5		24.0	21.5				
9	9610S-09Y939	9.0	11.4								
10	9610S-10Y939	10.0	12.4								
11	9610S-11Y939	11.0	13.4								
12	9610S-12Y939	12.0	14.4								
13	9610S-13Y939	13.0	15.4								
14	9610S-14Y939	14.0	16.4	14.2	28.4	32.0	26.0				
15	9610S-15Y939	15.0	17.4								
16	9610S-16Y939	16.0	18.4					5.0	5.0		
17	9610S-17Y939	17.0	19.4								
18	9610S-18Y939	18.0	20.4								
19	9610S-19Y939	19.0	21.4								
20	9610S-20Y939	20.0	22.4								
21	9610S-21Y939	21.0	23.4	20.2	40.4	44.0	37.0				
22	9610S-22Y939	22.0	24.4								
23	9610S-23Y939	23.0	25.4								
24	9610S-24Y939	24.0	26.4								
25	9610S-25Y939	25.0	27.4								
26	9610S-26Y939	26.0	28.4								
27	9610S-27Y939	27.0	29.4								
28	9610S-28Y939	28.0	30.4	26.2	52.4	56.0	49.0				
29	9610S-29Y939	29.0	31.4								
30	9610S-30Y939	30.0	32.4								

NOTE
 1. 梱包数量/UNIT QUANTITY : 1000PCS/ REEL
 2. リードテープ長さ/LEAD TAPE LENGTH



ISSUED
 17.12.27
 IRISO
 ENG. DEPT.

54/88
 ECN No
 REVISION RECORD
 DR N.A
 CHK K.Y
 DATE 17-12-15

MATERIAL 材質
 ①カバーテープ/COVER TAPE : PET
 ②キャリアテープ/CARRIER TAPE : A-PET OR PS
 ③リール/REEL : PS (黒/BLACK)

FINISH 仕上げ

GENERAL TOLERANCES 一般公差
 DIM 寸法 ± 0.3
 ANGLE 角度 ±

3RD. ANG. PROJ. 三角法

SCALE 尺度
 DR '17-12-15
 N. Osai
 CHK'IT K. Kobayashi

UNIT 単位
 mm
 DSN '03-10-23
 Y. Koushiro
 APP 2017.12-15
 G. Sawaf

IRISO ELECTRONICS CO., LTD
 伊予電子工業株式会社

TITLE 名称
 9610シリーズ ソケットI型用 エンボス梱包品
 SERIES 9610 SOCKET (TYPE I) EMBOSS PRODUCT

EDP No

PARTS No 部番
 IMSA-9610S-**Y939

DWG No 図番
 120-409610-585

REV.
 0