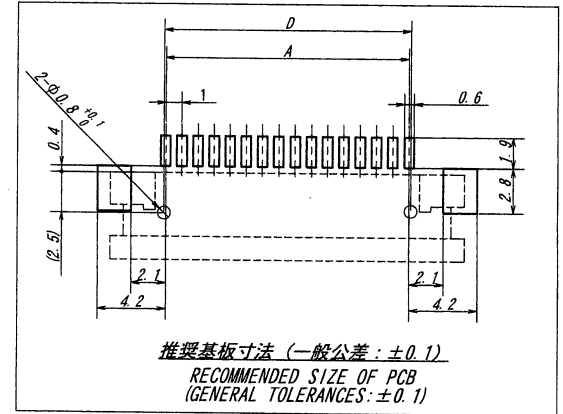
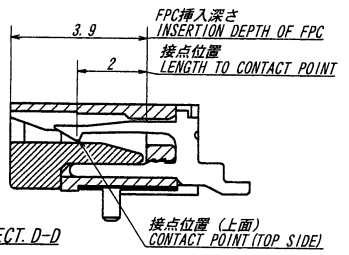
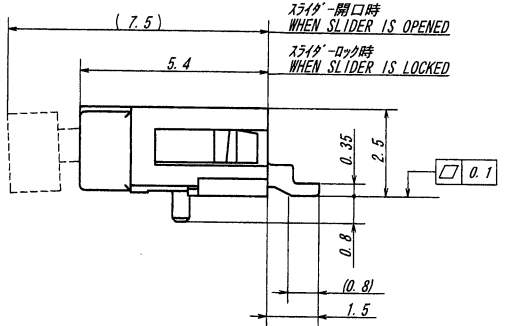
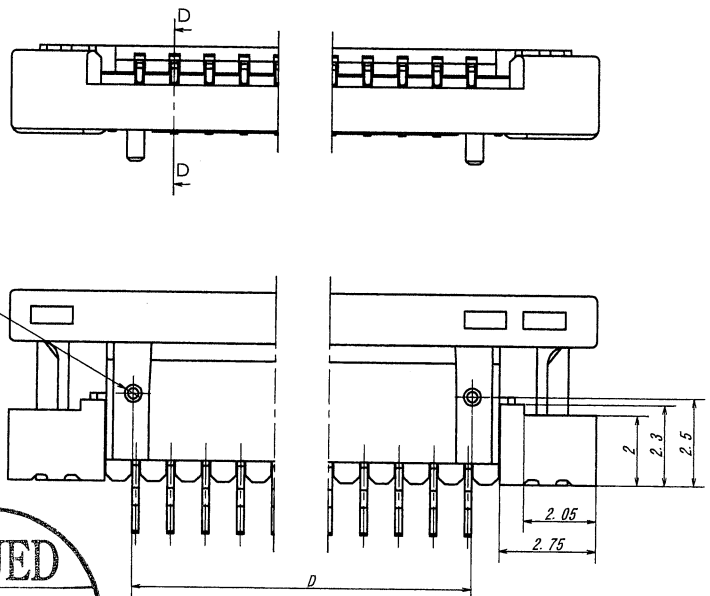


極数 CKT	部品番号 PARTS No.	A	B	C	D
4	9616S-04M-TB1	3.0	8.7	10.3	3.2
5	9616S-05M-TB1	4.0	9.7	11.3	4.2
6	9616S-06M-TB1	5.0	10.7	12.3	5.2
7	9616S-07M-TB1	6.0	11.7	13.3	6.2
8	9616S-08M-TB1	7.0	12.7	14.3	7.2
9	9616S-09M-TB1	8.0	13.7	15.3	8.2
10	9616S-10M-TB1	9.0	14.7	16.3	9.2
11	9616S-11M-TB1	10.0	15.7	17.3	10.2
12	9616S-12M-TB1	11.0	16.7	18.3	11.2
13	9616S-13M-TB1	12.0	17.7	19.3	12.2
14	9616S-14M-TB1	13.0	18.7	20.3	13.2
15	9616S-15M-TB1	14.0	19.7	21.3	14.2
16	9616S-16M-TB1	15.0	20.7	22.3	15.2
17	9616S-17M-TB1	16.0	21.7	23.3	16.2
18	9616S-18M-TB1	17.0	22.7	24.3	17.2
19	9616S-19M-TB1	18.0	23.7	25.3	18.2
20	9616S-20M-TB1	19.0	24.7	26.3	19.2
21	9616S-21M-TB1	20.0	25.7	27.3	20.2
22	9616S-22M-TB1	21.0	26.7	28.3	21.2
23	9616S-23M-TB1	22.0	27.7	29.3	22.2
24	9616S-24M-TB1	23.0	28.7	30.3	23.2
25	9616S-25M-TB1	24.0	29.7	31.3	24.2
26	9616S-26M-TB1	25.0	30.7	32.3	25.2
27	9616S-27M-TB1	26.0	31.7	33.3	26.2
28	9616S-28M-TB1	27.0	32.7	34.3	27.2
29	9616S-29M-TB1	28.0	33.7	35.3	28.2
30	9616S-30M-TB1	29.0	34.7	36.3	29.2
31	9616S-31M-TB1	30.0	35.7	37.3	30.2
32	9616S-32M-TB1	31.0	36.7	38.3	31.2
33	9616S-33M-TB1	32.0	37.7	39.3	32.2
34	9616S-34M-TB1	33.0	38.7	40.3	33.2
35	9616S-35M-TB1	34.0	39.7	41.3	34.2
36	9616S-36M-TB1	35.0	40.7	42.3	35.2
37	9616S-37M-TB1	36.0	41.7	43.3	36.2
38	9616S-38M-TB1	37.0	42.7	44.3	37.2
39	9616S-39M-TB1	38.0	43.7	45.3	38.2
40	9616S-40M-TB1	39.0	44.7	46.3	39.2



ISSUED
12.7.13
IRISO
ENG. DEPT

LTR 記号	ECN No	REVISION 記	RECORD 書	DR	CHK	DATE 年月日
	41913	RELEASED		Y.K	M.T	'12-7-9

MATERIAL 材質

①端子/CONTACT: U11青銅/PHOSPHOR BRONZE
②ハウジング/HOUSING: PA46 白色/WHITE UL94V-0
③金 具/ANCHOR PLATE: 黄銅/BRASS (t=0.2)
④スライダ-SLIDER: PPS 黒色/BLACK UL94V-0

FINISH 仕上げ

①ニッケル下地めっき/Ni PLATE: 1~4μmMIN.
②ヒスマスTIN-TIN-BISMUTH PLATE: 1~4μmMIN.
③ヒスマス/BISMUTH: 1~3%
④ニッケル下地めっき/OVER NICKEL PLATE: 1.5~3.5μm
⑤銅半光沢めっき/TIN MATT PLATE: 3~6μm

GENERAL TOLERANCES 一般公差

DIM 寸法 ± 0.3

ANGLE 角度 ±

3RD. ANG. PROJ. 三角法

SCALE 尺度 /

UNIT 単位 mm

DR '12-7-9
Y. Kitagawa

DSN '09-12-21
J. Haga

CHK Y2
Y. Takagi

IRISO ELECTRONICS CO., LTD
イリス電子工業株式会社

TITLE 名称

9616シリーズ FFC/FPCソケット
SERIES 9616 FFC/FPC SOCKET

EDP No

PARTS No 部番

9616S-**M-TB1

DWG No 図番

IRISA-9616S-**M-TB1

REV. 0