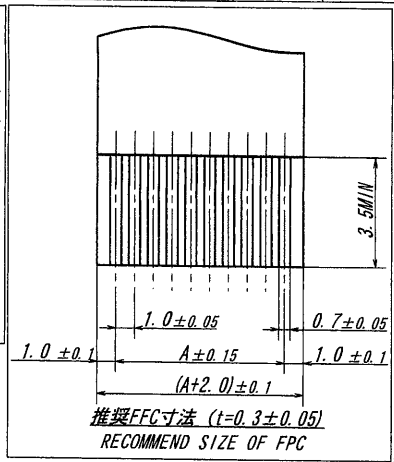
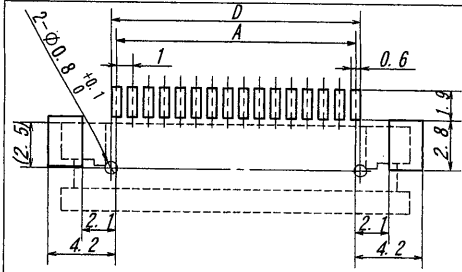
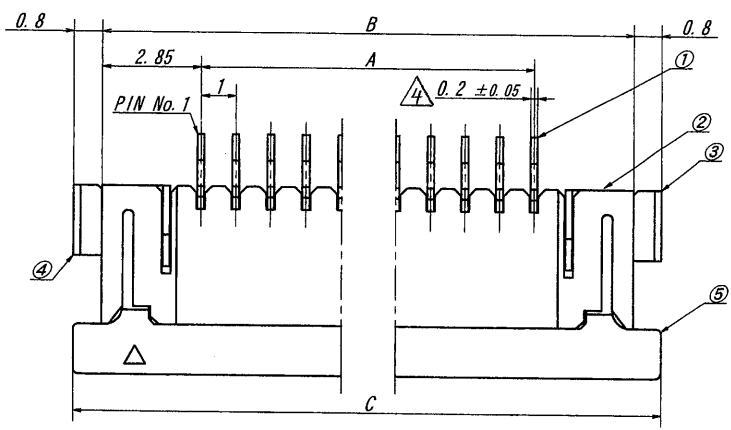
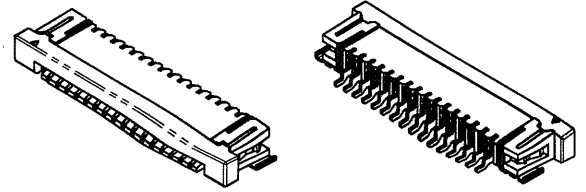
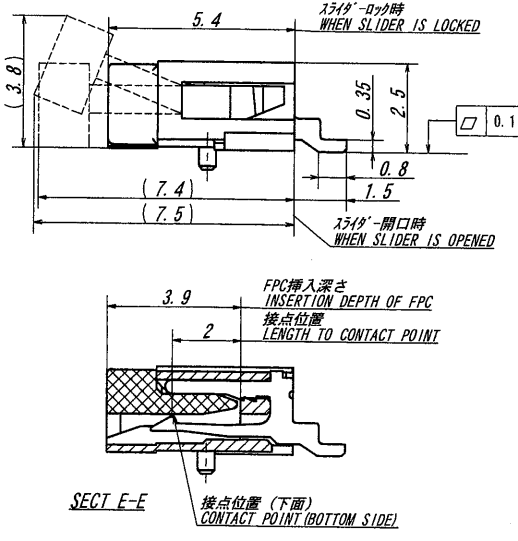
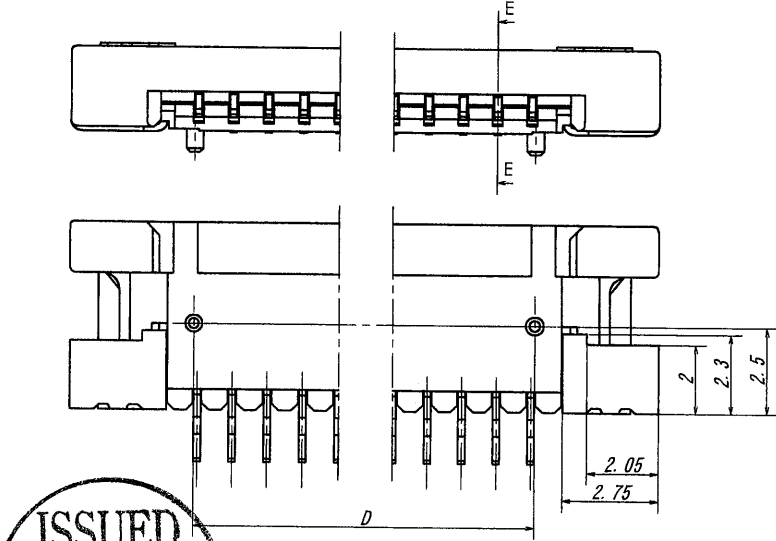


A B C D E F G H



極数 CKT	部品番号 PARTS No.	A	B	C	D
4	9617S-04P-TM1	3.0	8.7	10.3	3.2
5	9617S-05P-TM1	4.0	9.7	11.3	4.2
6	9617S-06P-TM1	5.0	10.7	12.3	5.2
7	9617S-07P-TM1	6.0	11.7	13.3	6.2
8	9617S-08P-TM1	7.0	12.7	14.3	7.2
9	9617S-09P-TM1	8.0	13.7	15.3	8.2
10	9617S-10P-TM1	9.0	14.7	16.3	9.2
11	9617S-11P-TM1	10.0	15.7	17.3	10.2
12	9617S-12P-TM1	11.0	16.7	18.3	11.2
13	9617S-13P-TM1	12.0	17.7	19.3	12.2
14	9617S-14P-TM1	13.0	18.7	20.3	13.2
15	9617S-15P-TM1	14.0	19.7	21.3	14.2
16	9617S-16P-TM1	15.0	20.7	22.3	15.2
17	9617S-17P-TM1	16.0	21.7	23.3	16.2
18	9617S-18P-TM1	17.0	22.7	24.3	17.2
19	9617S-19P-TM1	18.0	23.7	25.3	18.2
20	9617S-20P-TM1	19.0	24.7	26.3	19.2
21	9617S-21P-TM1	20.0	25.7	27.3	20.2
22	9617S-22P-TM1	21.0	26.7	28.3	21.2
23	9617S-23P-TM1	22.0	27.7	29.3	22.2
24	9617S-24P-TM1	23.0	28.7	30.3	23.2
25	9617S-25P-TM1	24.0	29.7	31.3	24.2
26	9617S-26P-TM1	25.0	30.7	32.3	25.2
27	9617S-27P-TM1	26.0	31.7	33.3	26.2
28	9617S-28P-TM1	27.0	32.7	34.3	27.2
29	9617S-29P-TM1	28.0	33.7	35.3	28.2
30	9617S-30P-TM1	29.0	34.7	36.3	29.2
31	9617S-31P-TM1	30.0	35.7	37.3	30.2
32	9617S-32P-TM1	31.0	36.7	38.3	31.2
33	9617S-33P-TM1	32.0	37.7	39.3	32.2
34	9617S-34P-TM1	33.0	38.7	40.3	33.2
35	9617S-35P-TM1	34.0	39.7	41.3	34.2
36	9617S-36P-TM1	35.0	40.7	42.3	35.2
37	9617S-37P-TM1	36.0	41.7	43.3	36.2
38	9617S-38P-TM1	37.0	42.7	44.3	37.2
39	9617S-39P-TM1	38.0	43.7	45.3	38.2
40	9617S-40P-TM1	39.0	44.7	46.3	39.2



NOTE

- 本製品は、錫系のめっきを施しておりますので、ウィスカーが発生する可能性がございます。その為、ウィスカー発生に対する保証は困難であり、御社にて御判断の上御使用をお願いします。
- THIS PRODUCT UTILIZES LEAD-FREE TIN PLATING. ANY PRODUCT WITH LEAD-FREE TIN PLATING IS SUSCEPTIBLE TO TIN WHISKER. IRISO PROVIDES NO ASSURANCES AGAINST THE GROWTH OF TIN WHISKER EVEN UNDER NORMAL OPERATING CONDITIONS. CUSTOMERS ASSUME ALL RESPONSIBILITY FOR ANY PRODUCT FAILURES DUE SOLELY TO THE GROWTH OF TIN WHISKERS.

ISSUED
'13.1.22
IRISO
ENG DEPT

REVISION RECORD
REVISED
DATE 73-1-18
DR H.T
CHK IA

MATERIAL 材質
①端子/CONTACT: リン青銅/PHOSPHOR BRONZE
②ハウジング/HOUSING: PA9T 自然色/NATURAL UL94V-0
③金具/ANCHOR PLATE: 黄銅/BRASS (t=0.2)
④スライダ/SLIDER: PPS 黒色/BLACK UL94V-0

FINISH 仕上げ
①②③ ニッケル下地めっき/OVER NICKEL PLATE: 1.5~3.5μm
銅半光沢めっき/TIN MATT PLATE: 3~6μm

GENERAL TOLERANCES 一般公差
DIM 寸法 ± 0.3
ANGLE 角度 ±

3RD. ANG. PROJ. 三角法

SCALE 尺度 / 単位 mm
DR '13-1-18 H. Takafuji
CHK '13-1-18 T. Abe

UNIT 単位 mm
DSN '06-11-13 Kobayashi
APP '13-1-18 1/21 M. Takagi

IRISO ELECTRONICS CO., LTD
イリス電子工業株式会社

TITLE 名称
9617シリーズ FFC/FPCソケット
SERIES 9617 FFC/FPC SOCKET

EDP No

PARTS No 部番
9617S-**P-TM1

DWG No 図番
IRISA-9617S-**P-TM1

REV. 4