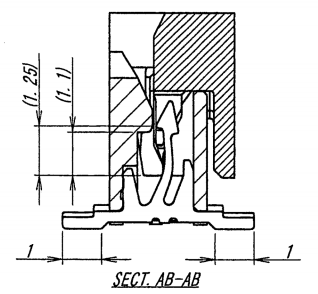
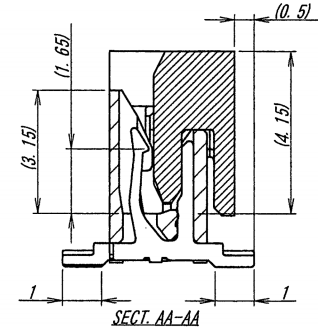
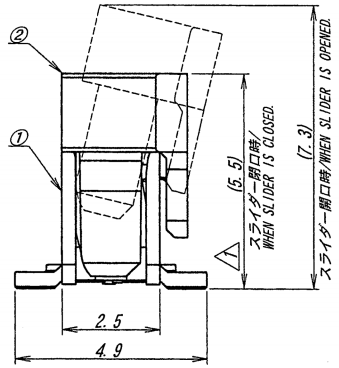
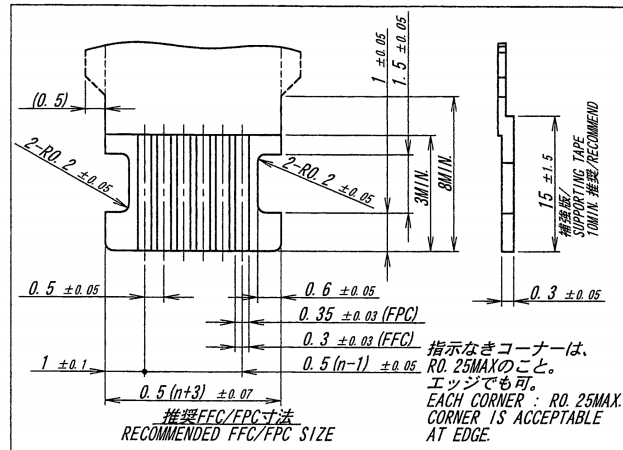
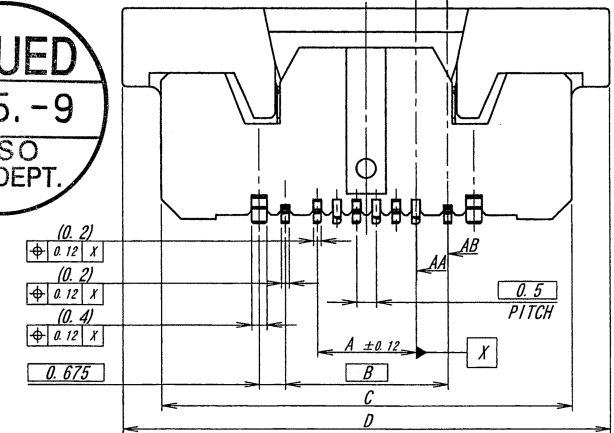
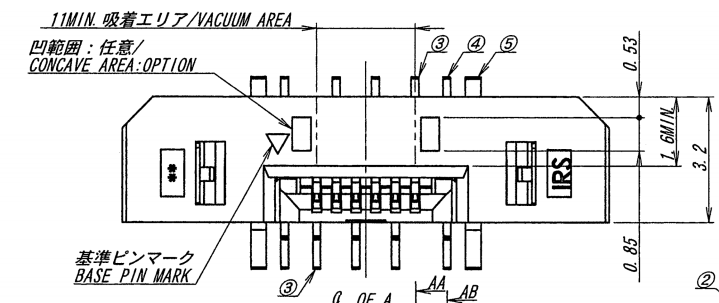
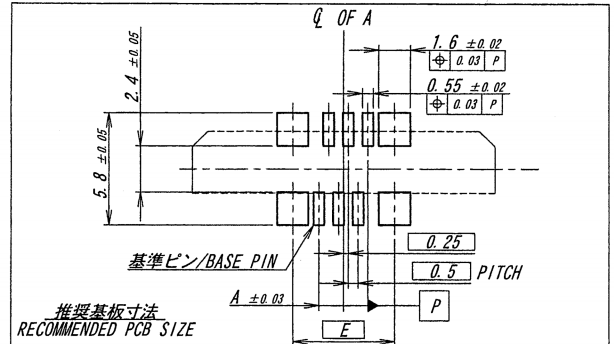


A B C D E F G H



NOTE  
1. コプラナリティー/COPLANARITY : 0.1mmMAX.

極数 CKT	部品番号 PARTS No.	A	B	C	D	E
4	9687S-04E-GFN4	1.5	3.15	9.5	11.5	4.2
5	9687S-05E-GFN4	2.0	3.65	10.0	12.0	4.7
6	9687S-06E-GFN4	2.5	4.15	10.5	12.5	5.2
7	9687S-07E-GFN4	3.0	4.65	11.0	13.0	5.7
8	9687S-08E-GFN4	3.5	5.15	11.5	13.5	6.2
9	9687S-09E-GFN4	4.0	5.65	12.0	14.0	6.7
10	9687S-10E-GFN4	4.5	6.15	12.5	14.5	7.2
11	9687S-11E-GFN4	5.0	6.65	13.0	15.0	7.7
12	9687S-12E-GFN4	5.5	7.15	13.5	15.5	8.2
13	9687S-13E-GFN4	6.0	7.65	14.0	16.0	8.7
14	9687S-14E-GFN4	6.5	8.15	14.5	16.5	9.2
15	9687S-15E-GFN4	7.0	8.65	15.0	17.0	9.7
16	9687S-16E-GFN4	7.5	9.15	15.5	17.5	10.2
17	9687S-17E-GFN4	8.0	9.65	16.0	18.0	10.7
18	9687S-18E-GFN4	8.5	10.15	16.5	18.5	11.2
19	9687S-19E-GFN4	9.0	10.65	17.0	19.0	11.7
20	9687S-20E-GFN4	9.5	11.15	17.5	19.5	12.2
21	9687S-21E-GFN4	10.0	11.65	18.0	20.0	12.7
22	9687S-22E-GFN4	10.5	12.15	18.5	20.5	13.2
23	9687S-23E-GFN4	11.0	12.65	19.0	21.0	13.7
24	9687S-24E-GFN4	11.5	13.15	19.5	21.5	14.2
25	9687S-25E-GFN4	12.0	13.65	20.0	22.0	14.7
26	9687S-26E-GFN4	12.5	14.15	20.5	22.5	15.2
27	9687S-27E-GFN4	13.0	14.65	21.0	23.0	15.7
28	9687S-28E-GFN4	13.5	15.15	21.5	23.5	16.2
29	9687S-29E-GFN4	14.0	15.65	22.0	24.0	16.7
30	9687S-30E-GFN4	14.5	16.15	22.5	24.5	17.2
31	9687S-31E-GFN4	15.0	16.65	23.0	25.0	17.7
32	9687S-32E-GFN4	15.5	17.15	23.5	25.5	18.2
33	9687S-33E-GFN4	16.0	17.65	24.0	26.0	18.7
34	9687S-34E-GFN4	16.5	18.15	24.5	26.5	19.2
35	9687S-35E-GFN4	17.0	18.65	25.0	27.0	19.7
36	9687S-36E-GFN4	17.5	19.15	25.5	27.5	20.2
37	9687S-37E-GFN4	18.0	19.65	26.0	28.0	20.7
38	9687S-38E-GFN4	18.5	20.15	26.5	28.5	21.2
39	9687S-39E-GFN4	19.0	20.65	27.0	29.0	21.7
40	9687S-40E-GFN4	19.5	21.15	27.5	29.5	22.2
41	9687S-41E-GFN4	20.0	21.65	28.0	30.0	22.7
42	9687S-42E-GFN4	20.5	22.15	28.5	30.5	23.2
43	9687S-43E-GFN4	21.0	22.65	29.0	31.0	23.7
44	9687S-44E-GFN4	21.5	23.15	29.5	31.5	24.2
45	9687S-45E-GFN4	22.0	23.65	30.0	32.0	24.7
46	9687S-46E-GFN4	22.5	24.15	30.5	32.5	25.2
47	9687S-47E-GFN4	23.0	24.65	31.0	33.0	25.7
48	9687S-48E-GFN4	23.5	25.15	31.5	33.5	26.2
49	9687S-49E-GFN4	24.0	25.65	32.0	34.0	26.7
50	9687S-50E-GFN4	24.5	26.15	32.5	34.5	27.2
51	9687S-51E-GFN4	25.0	26.65	33.0	35.0	27.7
52	9687S-52E-GFN4	25.5	27.15	33.5	35.5	28.2
53	9687S-53E-GFN4	26.0	27.65	34.0	36.0	28.7
54	9687S-54E-GFN4	26.5	28.15	34.5	36.5	29.2
55	9687S-55E-GFN4	27.0	28.65	35.0	37.0	29.7
56	9687S-56E-GFN4	27.5	29.15	35.5	37.5	30.2
57	9687S-57E-GFN4	28.0	29.65	36.0	38.0	30.7
58	9687S-58E-GFN4	28.5	30.15	36.5	38.5	31.2
59	9687S-59E-GFN4	29.0	30.65	37.0	39.0	31.7
60	9687S-60E-GFN4	29.5	31.15	37.5	39.5	32.2

ISSUED  
16.5.-9  
IRISO  
ENG.DEPT.

△									
△									
△									
△									
△									
△	\$16A	DIM REV	R.A	H.L	16-4-22				
△	43917	RELEASED	T.D	T. Ura	13-4-26				
LTR 記号	ECN No	REVISION RECORD 記	DR	CHK	DATE 年月日				

MATERIAL 材質  
①ハウジング/HOUSING: LCP, 黒色/BLACK, UL94V-0  
②スライダ/SLIDER: PAST, 自然色(白)/NATURAL (WHITE), UL94V-0  
③コンタクト/CONTACT: シル青銅/PHOSPHOR BRONZE  
④保護接触子/HALF LOCK CONTACT: シル青銅/PHOSPHOR BRONZE  
⑤補強部/METAL FLANGE: 黄銅/BRASS

FINISH 仕上げ  
①ニッケル下地めっき/OVER Ni PLATE: 2μMIN  
ニッケルバリア付障/Ni BARRIER  
金めっき/Au PLATE 線接触部/CONTACT AREA: 0.1μMIN  
テール部/TAIL AREA: 0.05~0.1μMIN  
②ニッケル下地めっき/OVER Ni PLATE: 2μMIN  
ニッケルバリア付障/Ni BARRIER  
金めっき/Au PLATE: 0.03~0.1μMIN  
③ニッケル下地めっき/OVER NICKEL PLATE: 1.5~3.5μMIN  
半光沢めっき/TIN MAT PLATE: 3~6μMIN

GENERAL TOLERANCES 一般公差  
DIN 寸法 ± 0.3  
ANGLE 角度 ±

3RD. ANG. PROJ. 三角法

SCALE 尺度 1/10  
UNIT 単位 mm

DR '16-4-22 R. Arai  
CHK '13-4-26 T. Doi  
2016-4-22  
S. M. Takagi

IRISO ELECTRONICS CO., LTD  
イリソ電子工業株式会社

TITLE 名称  
9687シリーズ FFC/FPCソケット  
SERIES 9687 FFC/FPC SOCKET

EDP No

PARTS No 部番  
IMSA-9687S-\*\*E-GFN4

DWG No 図番  
110-109687-001

REV.  
1

DO NOT SCALE DRAWING.  
THIS DRAWING CONTAINS INFORMATION THAT IS PROPRIETARY TO IRISO AND SHOULD NOT BE USED WITHOUT WRITTEN PERMISSION. 本図面は、イリソ電子工業(株)の所有する情報を含むもので当社の許可なく複製を禁止する。

IDENTICAL COPY