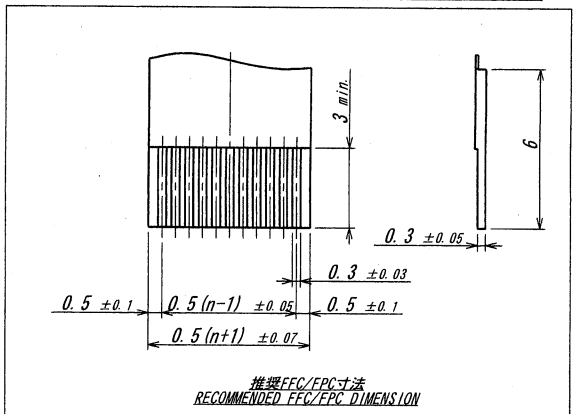
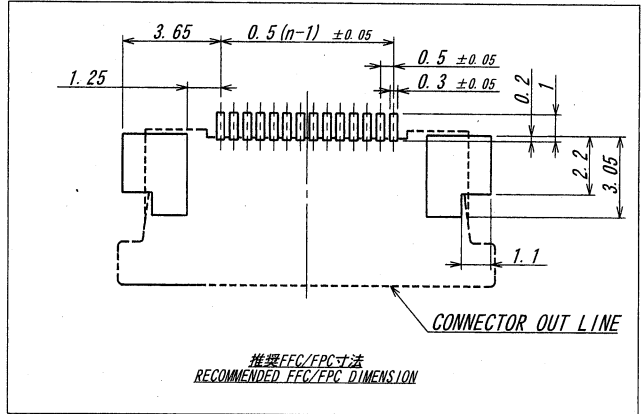
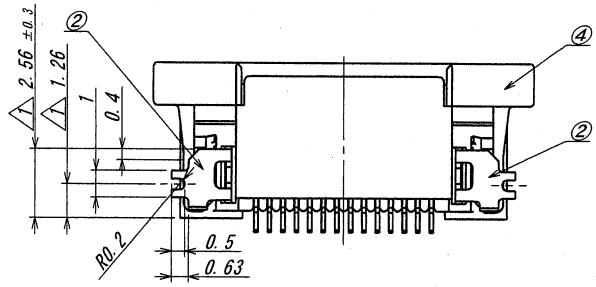
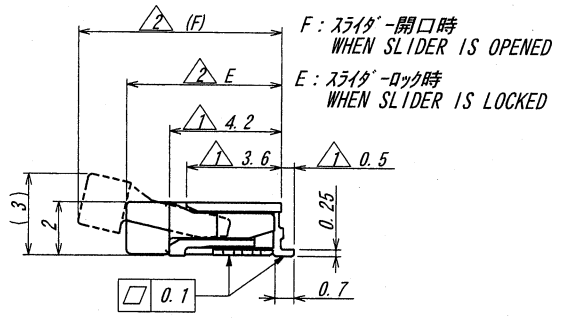
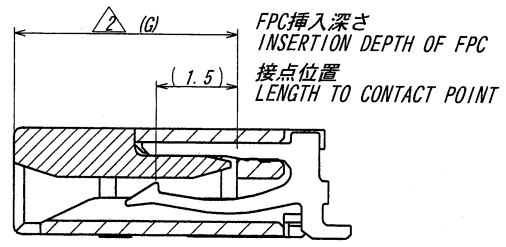


NOTE
1. コンタクトと補強板のコプラナリティ: 0.1MAX
COPLANARITY: 0.1MAX



個数	部品番号	A	B	C	D	E	F	G
4	9693S-04A-GFN1	1.5	7.1	7.8	9.1			
5	9693S-05A-GFN1	2.0	7.6	8.3	9.6			
6	9693S-06A-GFN1	2.5	8.1	8.8	10.1			
7	9693S-07A-GFN1	3.0	8.6	9.3	10.6			
8	9693S-08A-GFN1	3.5	9.1	9.8	11.1			
9	9693S-09A-GFN1	4.0	9.6	10.3	11.6			
10	9693S-10A-GFN1	4.5	10.1	10.8	12.1			
11	9693S-11A-GFN1	5.0	10.6	11.3	12.6	5.5	7.2	3.9
12	9693S-12A-GFN1	5.5	11.1	11.8	13.1			
13	9693S-13A-GFN1	6.0	11.6	12.3	13.6			
14	9693S-14A-GFN1	6.5	12.1	12.8	14.1			
15	9693S-15A-GFN1	7.0	12.6	13.3	14.6			
16	9693S-16A-GFN1	7.5	13.1	13.8	15.1			
17	9693S-17A-GFN1	8.0	13.6	14.3	15.6			
18	9693S-18A-GFN1	8.5	14.1	14.8	16.1			
19	9693S-19A-GFN1	9.0	14.6	15.3	16.6			
20	9693S-20A-GFN1	9.5	15.1	15.8	17.1			
21	9693S-21A-GFN1	10.0	15.6	16.3	17.6			
22	9693S-22A-GFN1	10.5	16.1	16.8	18.1			
23	9693S-23A-GFN1	11.0	16.6	17.3	18.6			
24	9693S-24A-GFN1	11.5	17.1	17.8	19.1			
25	9693S-25A-GFN1	12.0	17.6	18.3	19.6			
26	9693S-26A-GFN1	12.5	18.1	18.8	20.1			
27	9693S-27A-GFN1	13.0	18.6	19.3	20.6			
28	9693S-28A-GFN1	13.5	19.1	19.8	21.1			
29	9693S-29A-GFN1	14.0	19.6	20.3	21.6			
30	9693S-30A-GFN1	14.5	20.1	20.8	22.1			
31	9693S-31A-GFN1	15.0	20.6	21.3	22.6			
32	9693S-32A-GFN1	15.5	21.1	21.8	23.1			
33	9693S-33A-GFN1	16.0	21.6	22.3	23.6			
34	9693S-34A-GFN1	16.5	22.1	22.8	24.1			
35	9693S-35A-GFN1	17.0	22.6	23.3	24.6	5.8	7.5	4.2
36	9693S-36A-GFN1	17.5	23.1	23.8	25.1			
37	9693S-37A-GFN1	18.0	23.6	24.3	25.6			
38	9693S-38A-GFN1	18.5	24.1	24.8	26.1			
39	9693S-39A-GFN1	19.0	24.6	25.3	26.6			
40	9693S-40A-GFN1	19.5	25.1	25.8	27.1			
41	9693S-41A-GFN1	20.0	25.6	26.3	27.6			
42	9693S-42A-GFN1	20.5	26.1	26.8	28.1			
43	9693S-43A-GFN1	21.0	26.6	27.3	28.6			
44	9693S-44A-GFN1	21.5	27.1	27.8	29.1			
45	9693S-45A-GFN1	22.0	27.6	28.3	29.6			
46	9693S-46A-GFN1	22.5	28.1	28.8	30.1			
47	9693S-47A-GFN1	23.0	28.6	29.3	30.6			
48	9693S-48A-GFN1	23.5	29.1	29.8	31.1			
49	9693S-49A-GFN1	24.0	29.6	30.3	31.6			
50	9693S-50A-GFN1	24.5	30.1	30.8	32.1			

ISSUED
'09.10.19
IRISO
ENG. DEPT.

MATERIAL 材質
①端子/CONTACT:銅合金/COPPER ALLOY
②補強板/METAL FLANGE:銅合金/COPPER ALLOY
③ハウジング/HOUSING:LCP 自然色/NATURAL UL94V-0
④スライダー/SLIDER:PPS 黒色/BLACK UL94V-0

FINISH 仕上げ
①ニッケル下地めっき/OVER Ni PLATE
金めっき/Au PLATE
※Niバリア仕様/Ni BARRIER TYPE
②ニッケル下地めっき/OVER Ni PLATE
半光沢鍍めっき/TIN MATT PLATE

GENERAL TOLERANCES 一般公差
DIM 寸法 ± 0.2
ANGLE 角度 ±

3RD. ANG. PROJ. 三角法

SCALE 尺度 / UNIT 単位 mm
DR '09-10-13 DSN '08-1-29
CHK '09.10.13 APP '09/10/13 Y. Yoshikawa
IRISO ELECTRONICS CO., LTD
IRISO 電子工業株式会社

TITLE 名称 9693シリーズFPCソケット
SERIES 9693 FPC SOCKET
EDP No
PARTS No 部番 9693S-**A-GFN1
DWG No 図番 IMSA-9693S-**A-GFN1
REV. 3